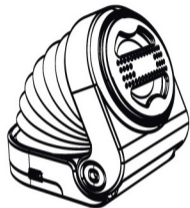


PYLE[®]
www.PyleAudio.com



USER MANUAL

Portable Speaker

PMS7

Introduction

Congratulations on the purchase of the speaker system. With the right care and attention, it will give you many years of trouble free operation. Before operating the system, please read this manual fully to obtain the best results from your new product, and retain it carefully for future reference. The lightning flash with arrowhead, within an equilateral triangle, is intended to alert the user to the presence of un-insulated dangerous voltage within the product's enclosure that may be of a sufficient magnitude to constitute a risk of electric shock to persons.



CAUTION: TO PREVENT THE RISK OF ELECTRIC SHOCK, DO NOT REMOVE COVER (OR BACK). NO USER-SERVICEABLE PARTS INSIDE. REFER SERVICING TO QUALIFIED SERVICE PERSONNEL ONLY. The exclamation point within an equilateral triangle is intended to alert the user to the presence of important operating and maintenance (servicing) instructions in the literature accompanying the product.

SAFETY INSTRUCTIONS

Please read all the instructions herein. Please retain this manual safely for future reference. Please heed all safety warnings. Please install in accordance with the Manufacturer's instructions. Please adjust the volume control to a comfortable level to avoid damaging your hearing and the system.

WARNING:

TO REDUCE THE RISK OF ELECTRIC SHOCK:

Do not expose this apparatus to rain or moisture. Do not use the speakers near water, and do not immerse them in any liquid or pour any liquid on them. Do not block the openings in the speaker cabinets, never push objects into speaker vents or slots because of fire or electric shock hazards, and provide sufficient space around the speakers for proper ventilation. Do not install near any heat sources such as radiators, heat registers, stoves, or other apparatus (including amplifiers) that produce heat. Do not defeat the safety purpose of the polarized plug. A polarized plug has two blades with one wider than the other. The wider blade is provided for your safety. If the provided plug does not fit into your outlet, consult an electrician for replacement of the obsolete outlet. Protect the power cord from being walked on or pinched particularly at plugs, convenience receptacles, and the point where they exit from the apparatus. For added protection during lightning storms, unplug the speakers from the electrical outlet and turn off the computer. Unplug this apparatus when unused for long periods of time.

Heat — Place the speakers away from all heat sources, such as heat registers, stoves, and direct sunlight. Ventilation — Do not block the openings in the speaker cabinets, never push objects into speaker vents or slots because of fire or electric shock hazards, and provide sufficient space around the speakers for proper ventilation. Location — Place the speakers in a stable location so that it will not fall causing damage to the speakers or bodily harm. Cleaning — Unplug the speakers from the computer and from the electrical outlet before cleaning them with a damp cloth. Lightning — For added protection during lightning storms, unplug the speakers from the electrical outlet and turn off the computer. Servicing is required when the apparatus has been damaged in any way, such as the power-supply cord or plug is damaged, liquid has been spilled or objects have fallen into the apparatus, the apparatus has been exposed to rain or moisture, does not operate normally, or has been dropped. Refer all servicing to qualified service personnel only.

1.1 Welcome to use

Welcome to choose mini speaker, which is with high-quality sound and used for PC, DIGITAL PLAYER, IPOD, GAME PLAYER AND DIGITAL MOBILE. Please pay attention to manual before using, So that to

Notice

To allow for design and specification improvements, the information in this document is subject to change without prior notice.

Pioneering patented technology: extendable resonance of the bass box technology enables stronger effect.

Standard 3.5mm audio plug, apply with all music player and digital products.

New idea union portable mini design, is the first smallest mini palm bass over the world.

High-capacity inside, could charge for this product directly by USB, don't need to connect exterior power supply.

Warning:

Please do not throw the product into fire because this will cause personal injury;
Please do not put the product in any damp or high-temperature areas;
Please do not short the product out to avoid danger;
Please do not disassemble by yourselves to avoid electrical shock;
Please do not put the product within easy reach of children;
Please do not insert anything conductive into the sound box body.

1.2 Product confirm

1.2.1 Open package

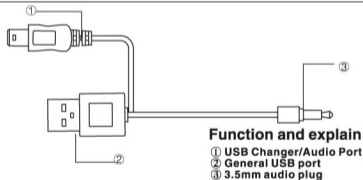
Please check model mark in package (marked in front of this type) If it is not match model NO., please contact supplier shortly.

*mini palm bass article list

Open package, you will find out article as below

1.2.2 Product and part

- ① mini palm bass one piece
- ② USB Charging/audio data cable one piece
- ③ USER GUIDE one piece



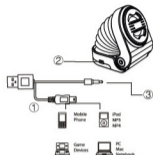
⚠ The cable is not fit into others equipment data connection except of this product.

Warning:

This product set power supply equipment inside, read below manual carefully before using, avoid to happen accident.

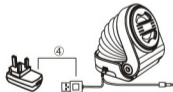


1.3 Connection equipment and charge



Connect

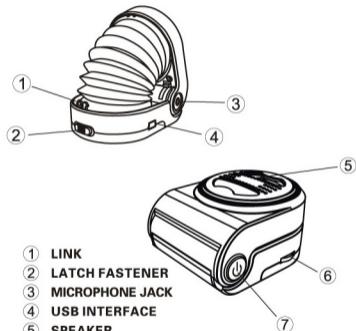
Please make USB charge/audio union data cable ① connect to USB charge/audio output point ②. 3.5mm standard audio plug ③ connect all allowed digital player equipment.



Charge

Standard USB point ④ connect all PC with USB point or USB power supply adapters for charge.

1.4 Parts confirm



- ① LINK
- ② LATCH FASTENER
- ③ MICROPHONE JACK
- ④ USB INTERFACE
- ⑤ SPEAKER
- ⑥ VOLUME CONTROL
- ⑦ SWITCH

1.5 Specifications

Model: PMS7

Dimensions: 3.03" x 2.18" x 1.49"
(Closed Mode)

Net Weight: 3 oz.

Speaker: ϕ 40MM

Input: L/R 320mV

Power Output: 10 W

S/N: \geq 80dB

AMP Freq Range: 280Hz-16KHz

Charge Voltage: 5V \pm 0.5V

Suitable Temperature: 0°C-40°C



Please don't draw extendable resonance of the bass box forcibly. It will be damaged by this!



PYLE[®]
www.PyleAudio.com